



U-Bio

USB Fingerprint Reader

Small in size, Big in performance

U-Bio is a USB fingerprint reader designed for use with Anviz fingerprint terminals or developer software. U-Bio fingerprint reader utilizes optical fingerprint scanner which is scratch-proof, unbreakable and durable. Anviz fingerprint reader utilizes blue area source (a stable light in spectrum) as background light. The generated image fully matches the real one. Accurate and good in anti-interference. No latent fingerprint impact. In addition, full software developer kit is available for software development.



Fast fingerprint scan
in less than 0.5 second

⊕ Feature

- New generation fully sealed, waterproof and dustproof fingerprint sensor
- Accurate image capture and good in anti-interference
- Fingerprint image of no-distortion
- USB connection
- Compact and portable design
- SDK available for software development
- Optional card reader, blue tooth and lithium battery

⊕ Typical installation



Enterprise



Hotel



Building



Government



Finance company

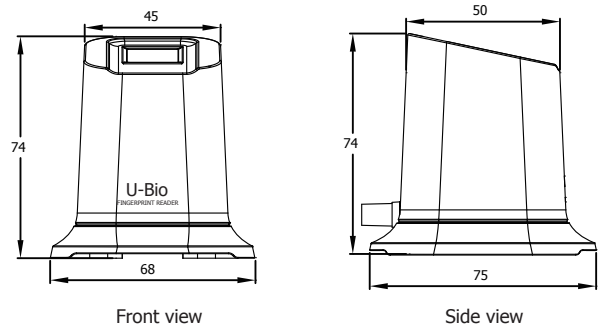


Education and training organization

⊕ Parameter

Item	Description
Image Format	304*256 BMP(500DPI)
Power	DC 5V
Enrollment Time	<20 ms
Image Reading Time	15fps
FRR	0.001%
FAR	0.00001%
Standard Port	Standard USB port
Sensor Size	22mm*18mm
Casing Size	68(w)*74(h)*75(d)mm
Option	card reader, blue tooth, lithium battery
Certificate	FCC, CE, ROHS

⊕ Outline drawing



Front view

Side view

⊕ Network topology illustration



ANVIZ® and **BioNANO®** are registered trademarks of Anviz Global and cannot be used without the permission of Anviz. Due to the consistent improving of the product, this specification and appearance is subject to change without notice.